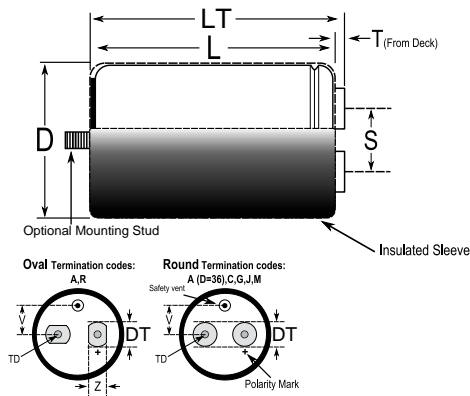


Capacitor, aluminum, 0.1 F, +/-20% Tol, -40/+105C, 25 VDC@105C



General Information	
Supplier:	KEMET
Application:	105C
Part Type Description:	Screw Terminal Aluminum Electrolytic
Style:	Screw Terminal
Lead Type:	Oval Threaded Inserts- M5
Mounting Type:	Clip- V4/UTE2737
Weight:	300 g
RoHS:	Yes

Dimensions (mm)		
Symbol	Dimension	Tolerance
D	51.00	+/-1
L	105.00	+/-2
LT	110.50	+/-1
S	22.20	+/-0.5
T	5.50	+/-0.5
TD	10.00	MIN
DT	13.00	+/-0.5
V	13.70	NOM
Z	10.00	NOM

Specifications	
Capacitance:	0.1 F
Voltage:	25 VDC
Tolerance:	+/-20%
Voltage:	28.75 V (Surge)
Rated Temperature:	105C
Temperature Range:	-40/+105C
Life:	7000 Hrs (Rated Voltage and Current)
Life:	11000 Hrs (Rated Voltage)
Leakage Current:	6 mA
Leakage Condition:	5Min/20C
Resistance/ESR:	9 mOhms (100Hz 20C)
Resistance/ESR:	8 mOhms (10kHz 20C)
Current/Ripple Current:	16.4 Amps (100Hz 105C)
Current/Ripple Current:	16.7 Amps (10kHz 105C)

Notes:

-Dimensions D and L include sleeving

Packaging Specifications	
Package Kind:	Bulk